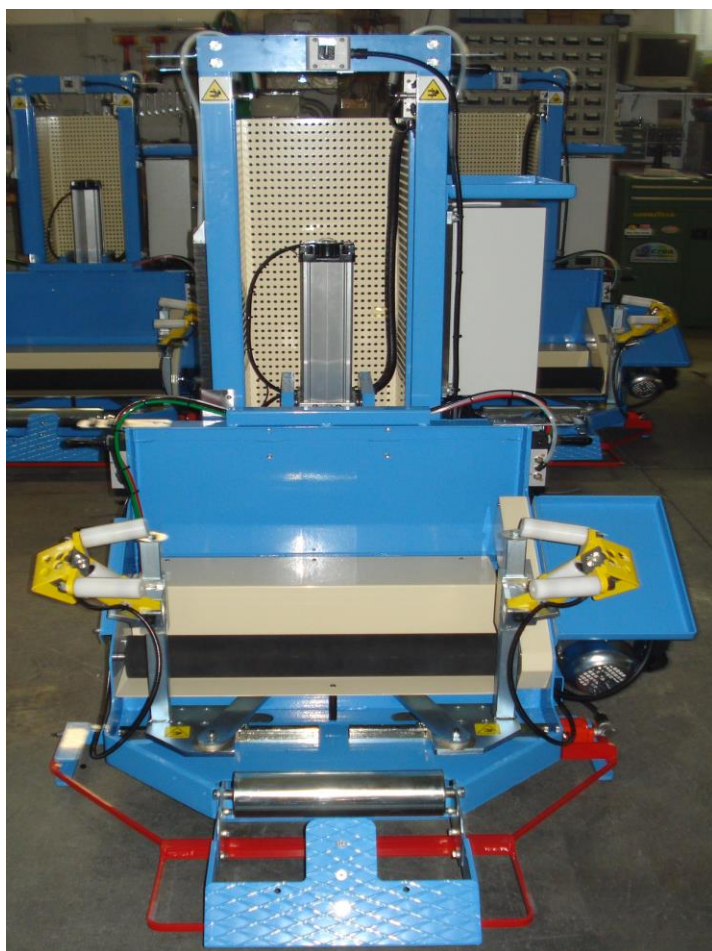


VERTICAL INSPECTION SPREADER



Central Marketing, Inc.

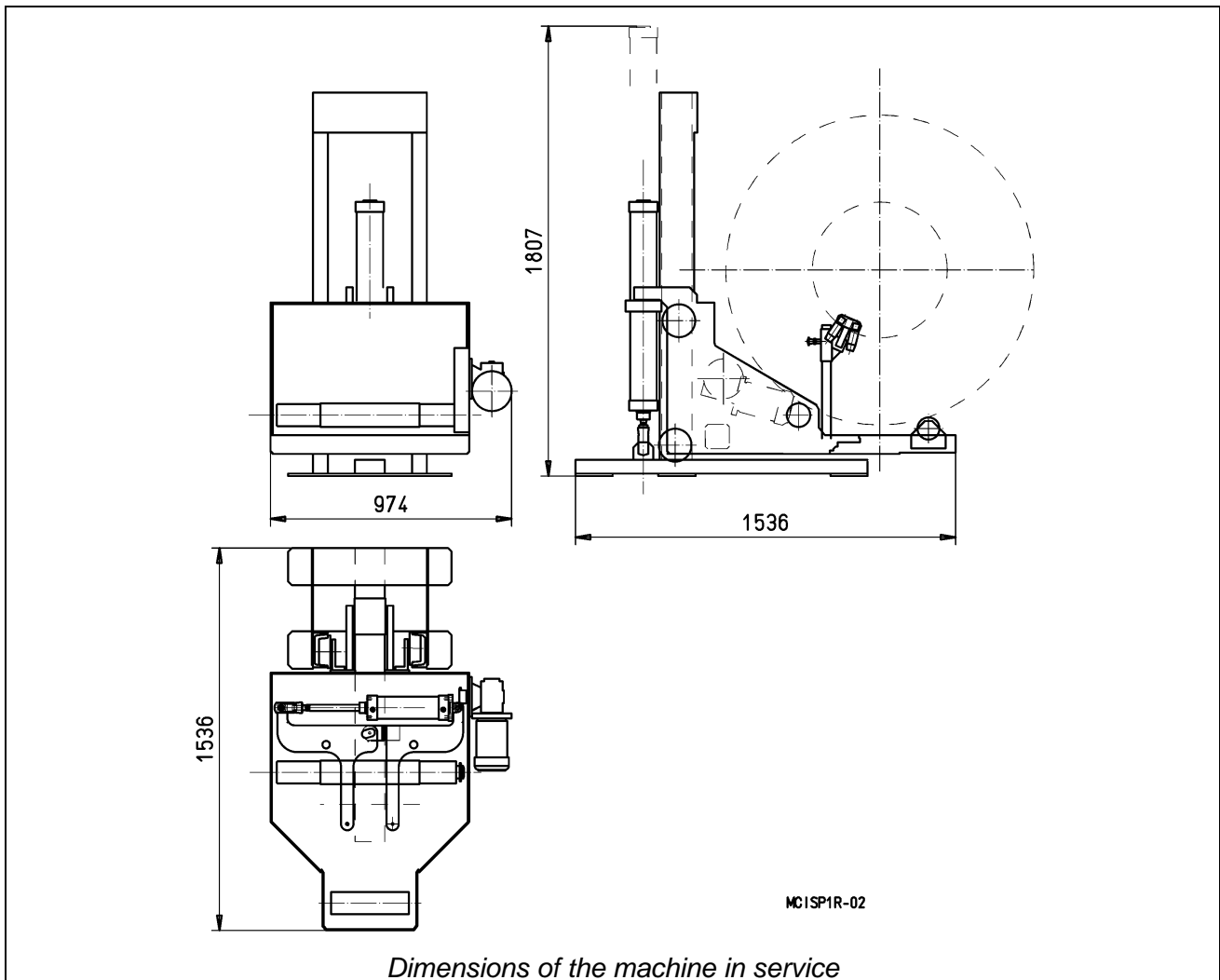
PO Box 1439, Colonial Heights, VA 23834

Phone (804) 733-4684

E-Mail: sales@central-marketing.com

www.central-marketing.com

VERTICAL INSPECTION SPREADER



Designed to put a truck tyre casing in different appropriate positions to facilitate visual inspections and repairs.

Two direction, pedal controlled rotation.

Easily accessible controls for tyre up/down and open/close movements to ergonomically adjust the work position.

Total installed power: 0.37 kW.

Compressed air absorption: 38 NI/cycle.